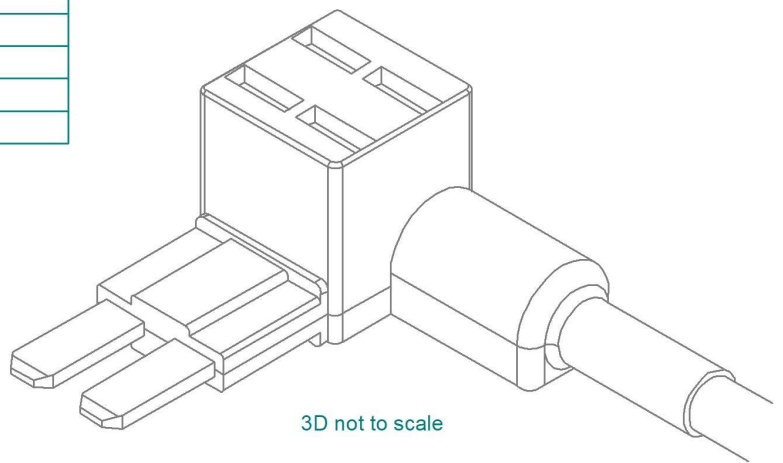


Notes and materials:

Body	Nylon PA66 UL 94V-0
Terminals	CuZn, Sn plated
Cable	120 ± 10mm, 16 AWG (1.3mm ²) red wire
Connector	PVC butt connector, min. 15KG pull-out force
Current rating	Max. 10 Amp for additional circuit
Fuse series	FM2000 series mikrOTO II fuse, see table

FM2000 series mikrOTO II blade fuse ref. table:

Rating [A]	Color	Volt [V]	iMaXX Reference
3	Violet	32	FM2003
4	Pink	32	FM2004
5	Tan	32	FM2005
7.5	Brown	32	FM2075
10	Red	32	FM2010
15	Blue	32	FM2015
20	Yellow	32	FM2020
25	Natural	32	FM2025
30	Green	32	FM2030



Revisions			Date	Appr.	
	Date	Type	Drawn	10/14	GRH
a	05/17	updated notes and materials table	Checked	04/24	BE
b	04/24	updated fuse reference table	Standards		
			Approved	04/24	AdH
			Scale	not to scale	Title
			Projection	Tolerance ± 0.3 mm unless otherwise noted	Drawing type
					Drawing number
					Sheet
					Layers / Sheet



HM2400 series, Circuit+ mikrOTO II fuse
schematic
HM2400 drawing 1
1 of 1
0 1 2 6 9 11 Sheet 01